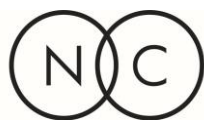


# SUSTAINABILITY DECLARATION

## FILUREN



INCLUSIVE DESIGN

## QUALITY AND ENVIRONMENTAL LABELLING



### MATERIAL CONTENT:

Wood	5,35 kg	97,6 %
Textile	0,08 kg	1,5 %
Steel	0,05 kg	0,9 %
Plastic	<0,01 kg	<0,1 %
<b>Total</b>	<b>5,48 kg</b>	<b>100 %</b>

*Disclaimer: Material content is based on Filuren with fabric Main Line Flax from Camira. Numbers may vary based on model and options selected. This applies throughout the declaration.*

### RECYCLED MATERIAL:

Post-consumer recycled content	0,01 kg	0,2 %
Pre-consumer recycled content	0,08 kg	1,5 %
Total recycled content	0,09 kg	1,7 %

### RECYCLABILITY:

Steel	0,05 kg	0,9 %
Plastic	<0,01 kg	<0,1 %
<b>Total material recycling</b>	<b>0,05 kg</b>	<b>1,0 %</b>

Wood	5,35 kg	97,6 %
Textile	0,08 kg	1,5 %
<b>Total energy recovery</b>	<b>5,43 kg</b>	<b>99,0 %</b>

### TOTAL CO2:



ENERGY VALUE: (in accordance with NF Environnement)

39 MJ

## FULFILLED TECHNICAL STANDARDS

- EN 1729-2 +A1 Safety requirements and test methods
- EN 14988 Test of openings (Children's high chairs)
- EN 12720 Assessment of surface resistance to cold liquids
- SIS 83 91 17 Assessment of surfaces resistance to scratches
- FprEN 17191:2020 Children's furniture - Seating for children - Safety requirements and test methods

## FULFILLED FIRE REQUIREMENTS

- Euroclass D

## CHEMICAL DATA

Following have not been added to the product:

Substances on Reach candidate list

Asbestos

Heavy metals

Phthalates

Brominated or halogenated flame retardants

PVC

Hexavalent chromium

## COMPANY CERTIFICATIONS

- ISO 14001
- ISO 9001
- ISO 45001
- FSC® Chain of Custody

## PACKAGING AND TRANSPORT

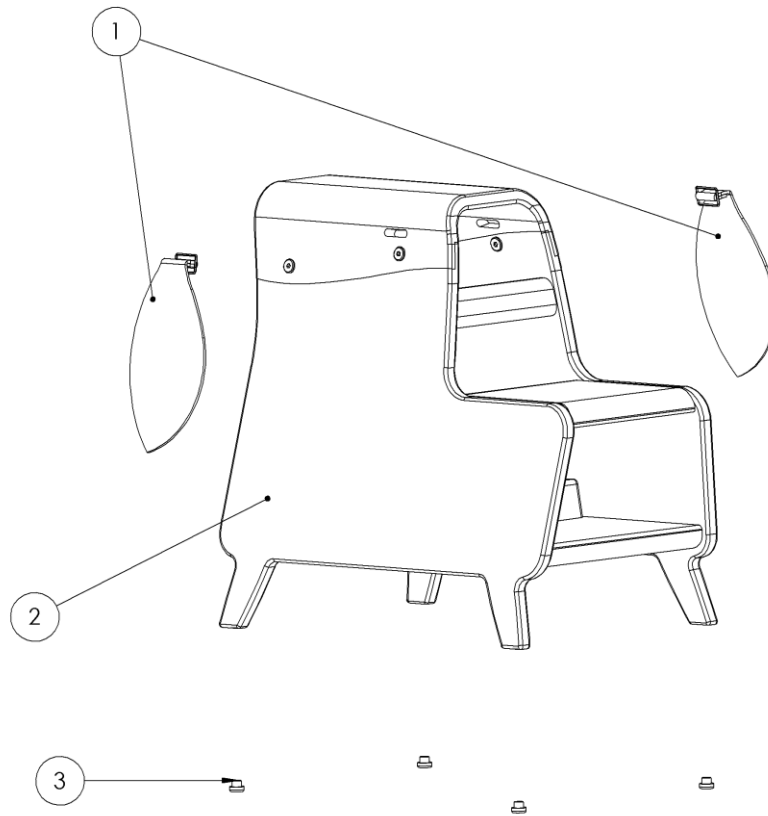
Packaged in recyclable packaging labeled with FSC. NC is connected to FTI, the Swedish nationwide recycling system for packaging. Shipped with external carriers.

## CARE AND MAINTENANCE RECOMMENDATIONS

Please visit our webpage.

<http://www.ncnordiccare.se/care-instructions/?lang=en>

# RECYCLING



Material	ID	Disassembly	Waste fraction
Wood	2	N/A	Combustible waste/Wood
Textile	1	Scissor	Textile
Plastic	3	Hammer	Plastic
Steel	1, 2, 3	Screwdriver/Hammer	Metal

*\*The product should in first hand be reused or remade before recycling its components.*

## LEED CONTRIBUTION

The product can contribute to the earning of points within the following credits.

### LEED V 4

#### Interior Design & Construction

MR Credit: Interiors life-cycle impact reduction	Services offered for recycling, refreshing or reusing products. Share of recyclable material in the product: 1,0 %.
MR Credit: Building product disclosure and optimization – sourcing of raw materials	Recycled content: Post consumer 0,2 %, Pre consumer 1,5 %. The product is FSC labelled.

#### Building Design and Construction

MR Credit: Building product disclosure and optimization – sourcing of raw materials	Recycled content: Post consumer 0,2 %, Pre consumer 1,5 %. The product is FSC labelled.
MR Credit: Furniture and medical furnishings (healthcare)	The product contains no or less than 100ppm hexavalent chromium, heavy metals, PFCs or PFOA, or added anti-microbial treatments. Recycled content: Post consumer 0,2 %, Pre consumer 1,5 %. The product is FSC labelled.

#### Building Operations and Maintenance

MR Credit: purchasing—facility maintenance and renovation	The product does not contain any substances on REACH Authorization or Candidate list. The product is FSC labelled.
---	---

Verified date: 2021-01-22