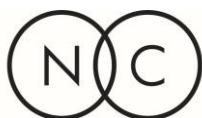


# SUSTAINABILITY DECLARATION

## HUMLAN



INCLUSIVE DESIGN

## QUALITY AND ENVIRONMENTAL LABELLING



### MATERIAL CONTENT:

Wood	10,00 kg	64,7 %
Foam	2,24 kg	14,5 %
Textile	2,18 kg	14,1 %
Steel	1,00 kg	6,5 %
Plastic	0,04 kg	0,3 %
<b>Total</b>	<b>15,46 kg</b>	<b>100 %</b>

*Disclaimer: Material content is based on Humlan 371 with birch legs and fabric Xtreme from Camira. Numbers may vary based on model and options selected. This applies throughout the declaration.*

### RECYCLED MATERIAL:

Post-consumer recycled content	2,0 kg	14,1 %
Pre-consumer recycled content	0 kg	0 %
<b>Total recycled content</b>	<b>2,0 kg</b>	<b>14,1 %</b>

### RECYCLABILITY:

Textile	2,18 kg	14,1 %
Steel	1,00 kg	6,5 %
Plastic	0,04 kg	0,3 %
<b>Total material recycling</b>	<b>3,22 kg</b>	<b>20,9 %</b>

Wood	10,00 kg	64,7 %
Foam	2,24 kg	14,5 %
<b>Total energy recovery</b>	<b>12,24 kg</b>	<b>79,2 %</b>

### TOTAL CO2:



### ENERGY VALUE: (in accordance with NF Environnement)

722 MJ

## FULFILLED TECHNICAL STANDARDS

- EN 16139 Strength, durability and safety, for personnel weight of 110 kg.
- EN 1728 Test methods for the determination of the strength and durability
- EN 1022 Determination of stability
- EN 12720 Assessment of surface resistance to cold liquids
- SIS 83 91 17 Assessment of surfaces resistance to scratches
- EN ISO 105-E04 Colour fastness to perspiration

## FULFILLED FIRE REQUIREMENTS

- EN 1021-1 Assessment of the ignitability of upholstered furniture – part 1: Ignition source smouldering cigarette
- EN 1021-2 Assessment of the ignitability of upholstered furniture – part 2: Ignition source match flame equivalent
- Euroclass D

*Disclaimer: Fire requirements EN 1021-1 and EN 1021-2 are based on fabric Xtreme from Camira.*

## CHEMICAL DATA

Following have not been added to the product:

Substances on Reach candidate list

Asbestos

Heavy metals

Phthalates

Brominated or halogenated flame retardants

PVC

Hexavalent chromium

## COMPANY CERTIFICATIONS

- ISO 14001
- ISO 9001
- ISO 45001
- FSC® Chain of Custody

## PACKAGING AND TRANSPORT

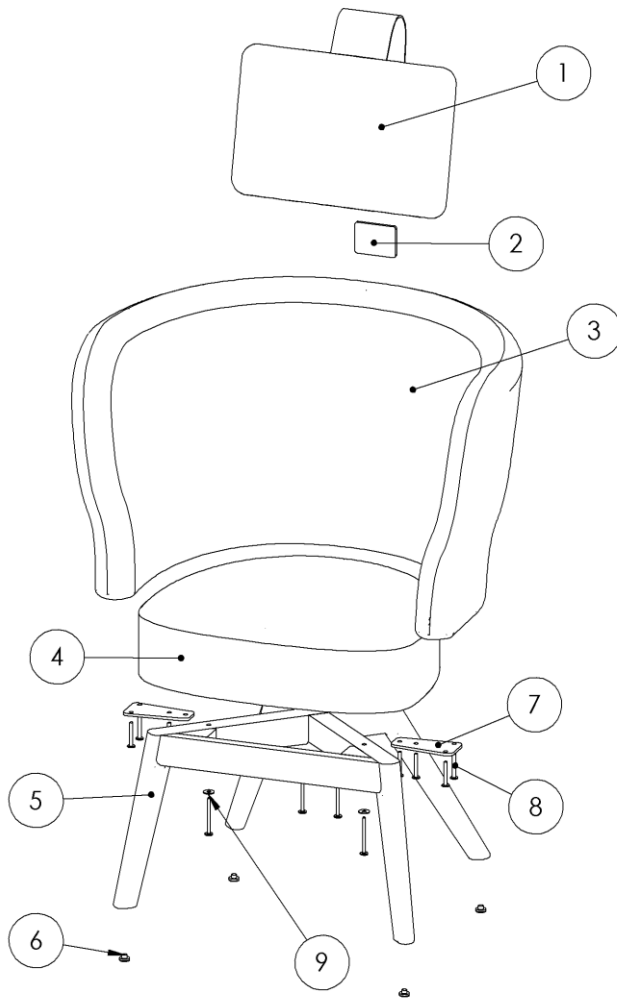
Packaged in recyclable packaging labeled with FSC. NC is connected to FTI, the Swedish nationwide recycling system for packaging. Shipped with external carriers.

## CARE AND MAINTENANCE RECOMMENDATIONS

Please visit our webpage.

<http://www.ncnordiccare.se/care-instructions/?lang=en>

# RECYCLING



Material	ID	Disassembly	Waste fraction
Wood	3, 4, 5	Screwdriver	Combustible waste/Wood
Foam	1, 3, 4	Glued on wood, knife	Combustible waste
Textile	1, 3, 4	Zipper, Staple remover	Textile
Plastic	1, 4, 6	Hammer	Plastic
Steel	2, 3, 4, 6, 7, 8, 9	Screwdriver	Metal

*\*The product should in first hand be reused or remade before recycling its components.*

## LEED CONTRIBUTION

The product can contribute to the earning of points within the following credits.

### LEED V 4

#### Interior Design & Construction

MR Credit: Interiors life-cycle impact reduction	Services offered for recycling, refreshing or reusing products. Share of recyclable material in the product: 19,5 %.
MR Credit: Building product disclosure and optimization – sourcing of raw materials	Recycled content: Post consumer 14,1 %, Pre consumer 0 %. The product is FSC labelled.

#### Building Design and Construction

MR Credit: Building product disclosure and optimization – sourcing of raw materials	Recycled content: Post consumer 14,1 %, Pre consumer 0 %.  The product is FSC labelled.
MR Credit: Furniture and medical furnishings (healthcare)	The product contains no or less than 100ppm hexavalent chromium, heavy metals, PFCs or PFOA, or added anti-microbial treatments.  Recycled content: Post consumer 14,1 %, Pre consumer 0 %.  The product is FSC labelled.

#### Building Operations and Maintenance

MR Credit: purchasing—facility maintenance and renovation	The product does not contain any substances on REACH Authorization or Candidate list.  The product is FSC labelled.
---	---

Verified date: 2020-03-26