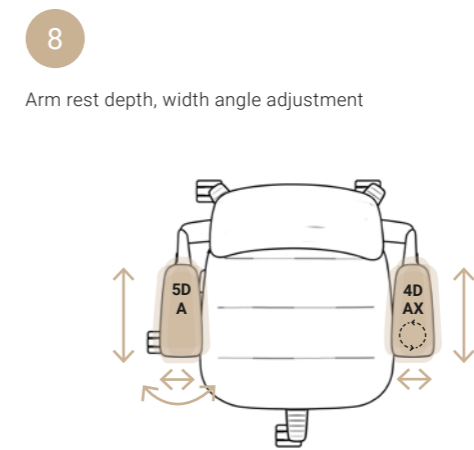
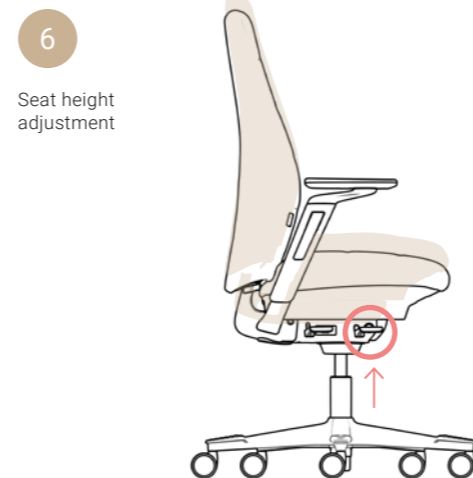
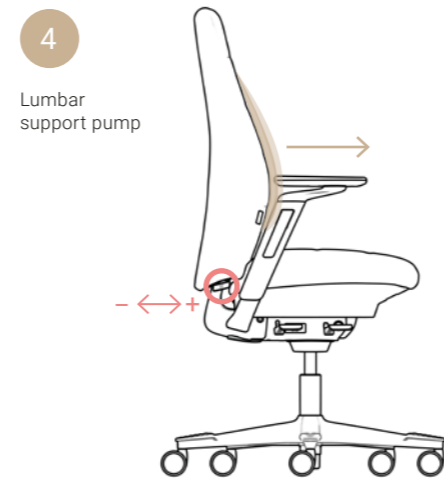
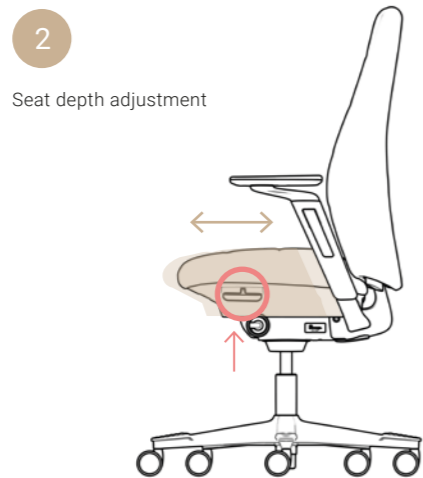
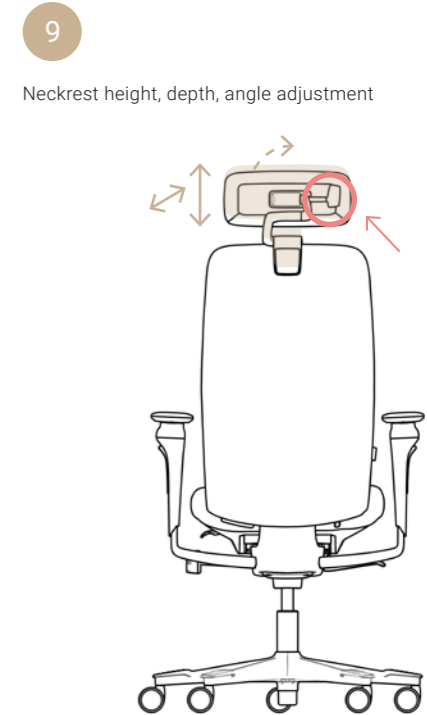
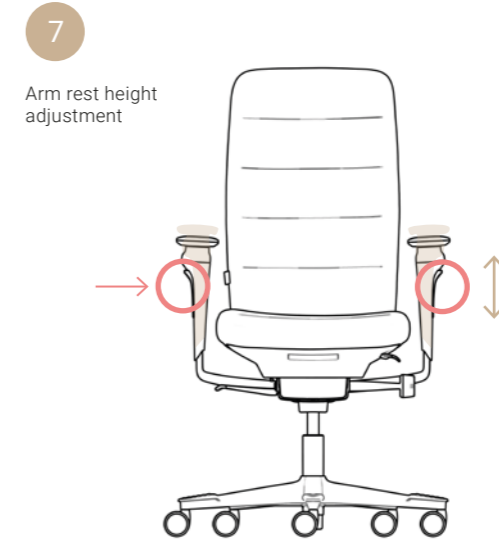
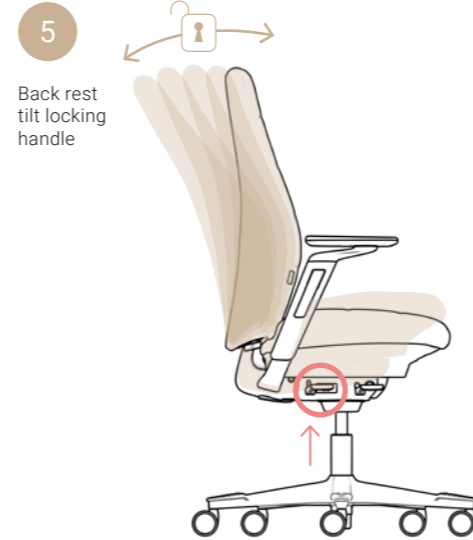
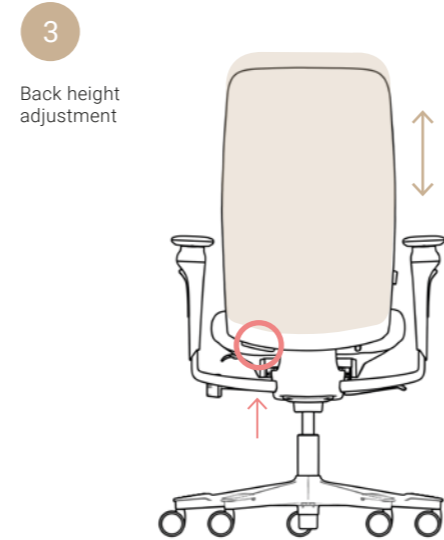
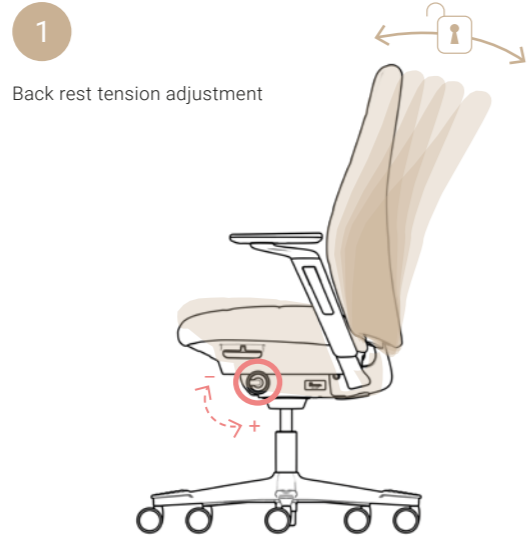




Capella X

KINNARPS GLOBAL RANGE & COMMUNICATIONS/ 8620292025 | ALL INFORMATION IS SUBJECT TO CHANGE



kinnarps.com/capella-x

